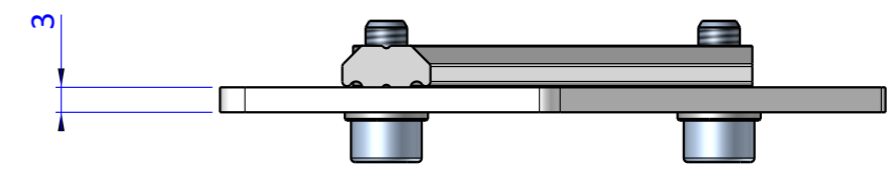
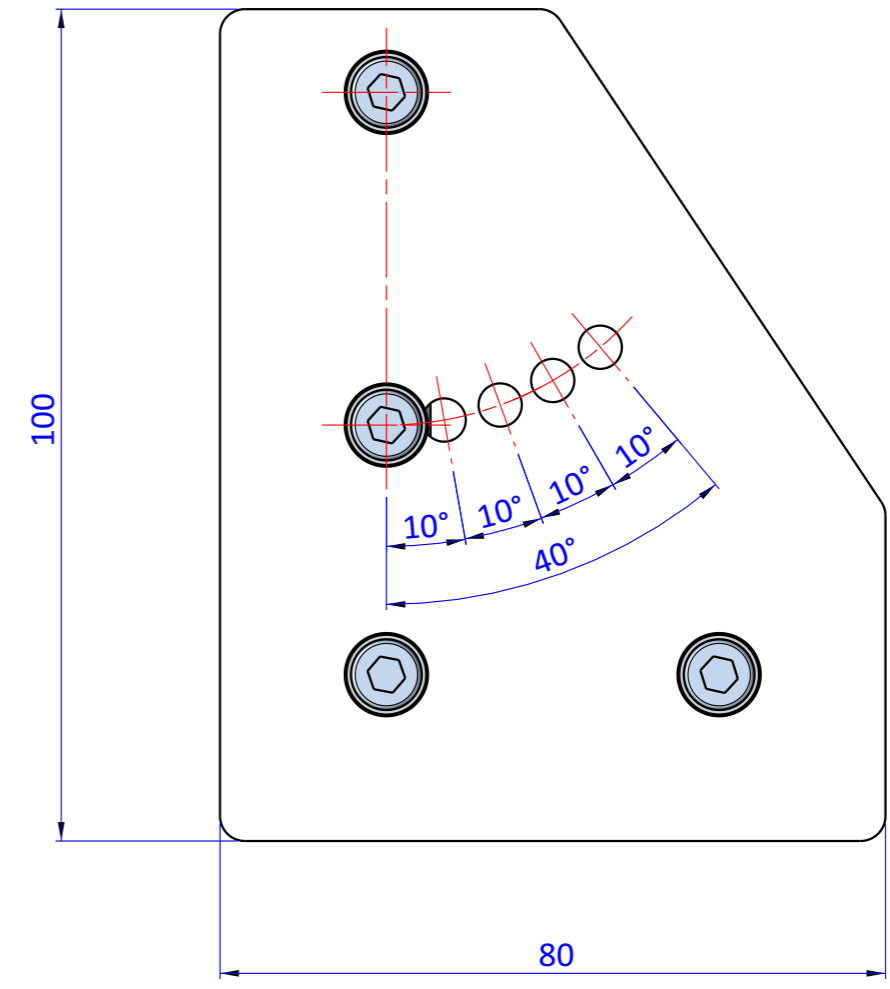
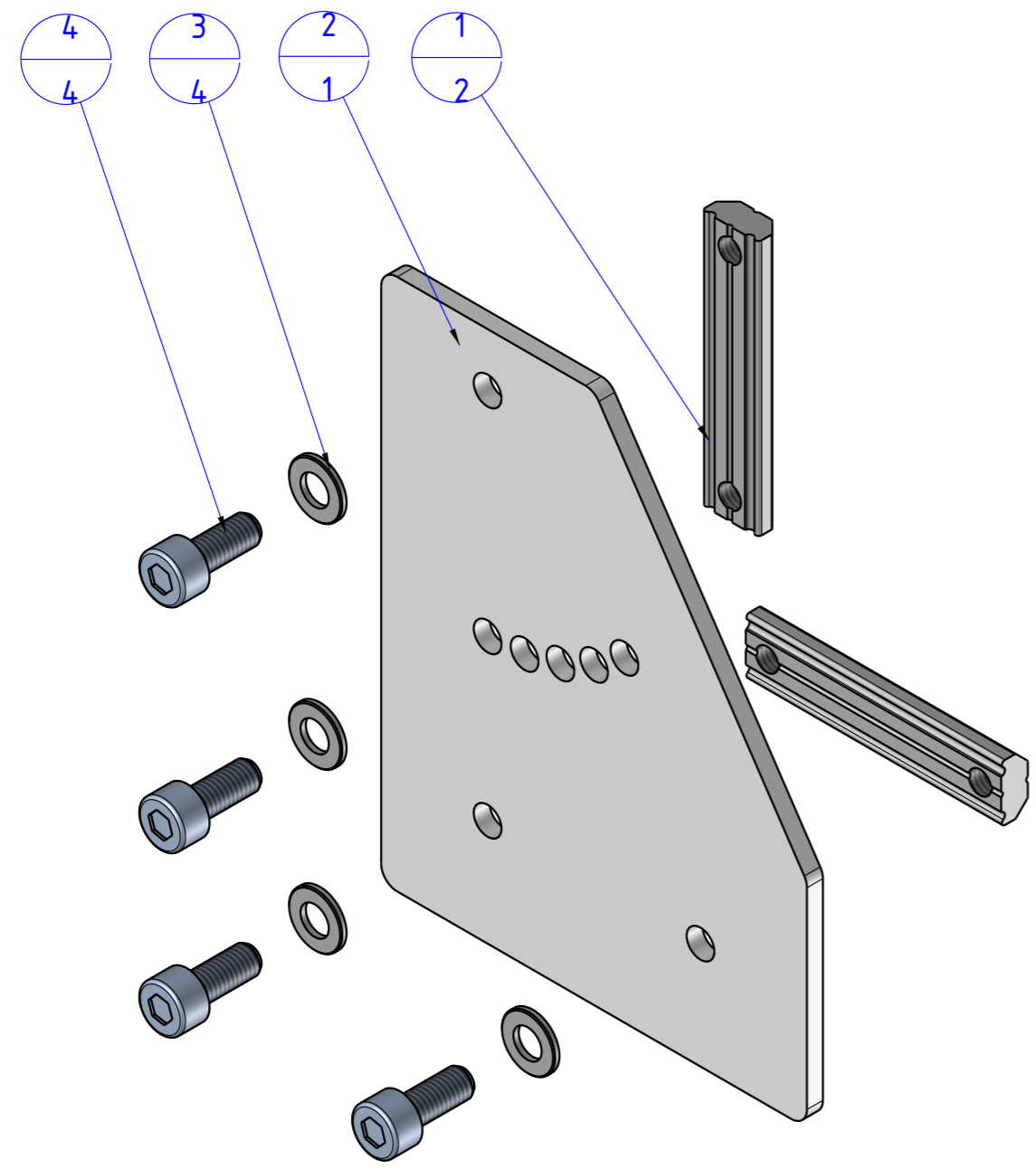

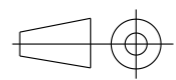


THE PROPERTY OF THE DRAWING IS ESTABLISHED BY LAW. IT IS FORBIDDEN TO PRODUCE OR SHOW IT TO THIRD PART. WITHOUT A WRITTEN AGREEMENT.

Item	Name	Q.ty
1	CA.GWP.5.40	2
2	EVB.100.JU	1
3	R.5	4
4	V.TCE5x12	4



Format A3  
UNI 936-76

 <b>FPS</b> FPSERVICES AUTOMATION			DESIGNED FROM <b>FPS Automation</b>	REVIEW <b>A</b>
GENERAL TOLERANCE UNI - ISO 2768 CLASSE f	DESCRIPTION <b>CA.EVB.100.JU</b>		DATE -	WEIGHT <b>0,206kg</b>
			CODE <b>CA.EVB.100.JU</b>	